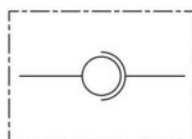


TrAle series Swivel fittings

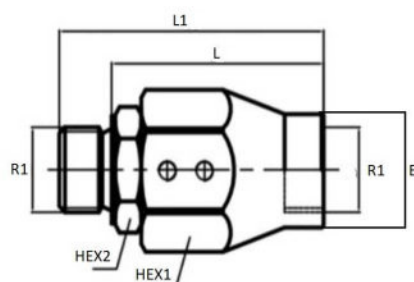
Swivel fitting BSP

BSP Straight Swivel Fittings

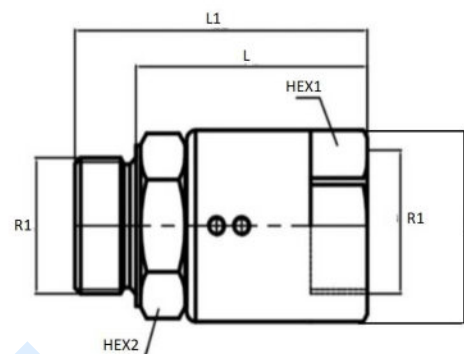
Mild Steel



RGR 1/4"----RGR 3/4"



RGR 1"



| Part nº | R1 | FLOW MAX (l/min) | MAX. PRESSURE (bar) | Max. rotation pressure | L1 | HEX 1 | HEX 2 | E | L |
|----------------|----------|---------------------|---------------------------|------------------------------|------|-------|-------|----|------|
| RGR 1/4 | 1/4" BSP | 25 | 400 | 200 | 63 | 30 | 19 | 24 | 51 |
| RGR 3/8 | 3/8" BSP | 45 | 400 | 200 | 65,6 | 34 | 24 | 23 | 52 |
| RGR 1/2 | 1/2" BSP | 80 | 360 | 150 | 70,8 | 36 | 27 | 28 | 56.7 |
| RGR 3/4 | 3/4" BSP | 120 | 310 | 150 | 81,8 | 46 | 34 | 37 | 62.8 |
| RGR 1 | 1" BSP | 150 | 280 | 100 | 89 | 50 | 41 | 59 | 70.2 |

Warning: The swivel joints in line and 90 ° are NOT eligible for fast and continuous rotation, but only for angular displacement

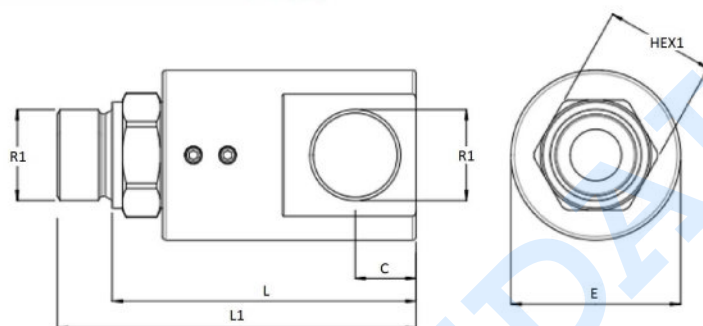
Working temperature: -20°C to 120°C

TrAle series Swivel fittings

Swivel fitting BSP

Elbow 90° swivel fitting BSP

Mild Steel



| Part nº | R1 | FLOW MAX (l/min) | MAX. PRESSURE (bar) | Max. rotation pressure | L1 | HEX 1 | C | E | L |
|-----------------|----------|------------------|---------------------|------------------------|------|-------|------|------|------|
| RG90 1/4 | 1/4" BSP | 25 | 400 | 200 | 71 | 19 | 11,3 | 33 | 56,5 |
| RG90 3/8 | 3/8" BSP | 45 | 400 | 200 | 76,5 | 24 | 15 | 37,7 | 61,5 |
| RG90 1/2 | 1/2" BSP | 80 | 360 | 150 | 89 | 27 | 17 | 39,5 | 69 |
| RG90 3/4 | 3/4" BSP | 120 | 310 | 150 | 100 | 34 | 19 | 55,9 | 80 |
| RG90 1 | 1" BSP | 150 | 280 | 100 | 119 | 41 | 22,9 | 59,5 | 95 |

Warning: The swivel joints in line and 90 ° are NOT eligible for fast and continuous rotation, but only for angular displacement

Working temperature: -20°C to 120°C